



hardware
D I R E C T



Commercial Hardware

The specialists in auto-doors, locks and hardware solutions

World leading auto-doors

Hardware Direct can supply, install, maintain or repair a wide range of commercial automatic door operators, whether you need sliding, swing, curved, revolving or even hermetically sealed doors. We are the exclusive New Zealand supplier of Manusa automatic doors, the world's fastest auto-opening doors.



Our reliable door operators have been proven across New Zealand and, were selected as part of Westfield's flagship 277 development. Here's what you can expect from a Hardware Direct auto-door:

- The world's fastest opening auto-door (exclusive to Hardware Direct in New Zealand).
- Door operator brands with 50 years of history, proven across 80 countries.
- Sliding, swing, curved, revolving, and hermetically sealed door options.
- Experienced, specialist staff who can advise on product selection, installation and compliance requirements.
- An installation team that includes a qualified electrician to troubleshoot install issues on the spot.
- Ongoing 24/7 servicing support from our specialist team (see more below).

World class servicing, available 24/7

You can rely on quality 24/7 service support, through our team of IQP qualified service technicians. We can professionally service or repair any make of automatic door, while ensuring your building warrant of fitness needs are smoothly met and your doors and asset registers are maintained, providing less downtime.

Our specialised service contracts provide a proactive and preventative approach to minimise hardware or door budget blowouts. Our servicing team are the trusted choice in performance critical environments such as Southern Cross Hospital, and for good reason:

- Our service technician team is IQP certified.
- We provide 24/7 servicing and repair support.
- We can install, service, repair or replace any auto-door.
- We service all makes of auto-door available in New Zealand.
- Our team have over 55 years of combined industry experience.
- Our servicing approach is designed to avoid issues and reduce blowout costs.

Contact our auto-door experts today on

(09) 366 1617

If its door related, it pays to talk to the specialists.

For over 20 years, Hardware Direct have been trusted to supply, service and maintain the hardware, locks and door operators (auto-doors) for some of New Zealand's biggest commercial operators. With all that specialist experience, it's fair to say we know our stuff, and over that time, we've identified three key factors in achieving optimal door, lock and hardware outcomes in commercial projects.



Compliance comes first

While the products we sell, install and service may seem simple, they can be anything but. Code of compliance regulations demand all sorts of specifics when it comes to achieving sign-off, so having detailed knowledge of the laws, by-laws and regulations governing your specific situation is critical to achieving timely completion while staying on budget. As a specialist in our area, we understand these regulations in great detail, helping our clients to achieve compliance without cost or time overruns.

Involve the experts early

If you've got a development project or major renovation planned, involving door and hardware specialists early can save you time and money. We can assess plans early, highlighting any issues that might require more expensive hardware to achieve compliance sign-off, or make suggestions that will provide efficiencies around structure and workflow. Often, we're engaged in projects after the planning stage, only to find simple things – like power for an auto-door for example – haven't been considered, leading to additional work and delays. Involving our experts as early as possible can help to avoid a host of potential issues.



Access to the best

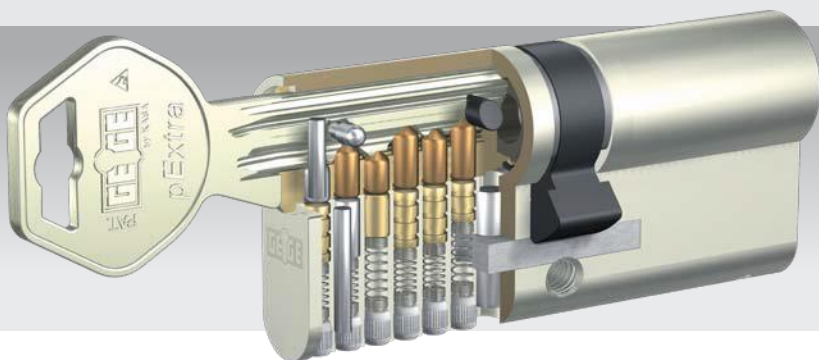
Over our 20 plus years of experience, we've developed strong relationships with key suppliers across the industry, building a strong knowledge of their product range and performance over time. We can quickly assess a project and identify the best solutions to deliver a practical day-to-day outcome, while meeting all compliance requirements. Better yet, our specialist team can install, maintain and, when necessary, repair all aspects of door operators, locks or hardware and accessories you might require.

Discover the specialist advice and on-site expertise available from Hardware Direct.

Get in touch today.

Safety and security systems for every need.

At Hardware Direct, you can be assured of a professional approach to the safety of your business as well as its employees and customers. We can provide and install a range of lock options to suit your requirements. Codes are kept secure thanks to our robust security processes and, you can be assured that any safety keys won't be duplicated without an authorised signatory approving it beforehand.

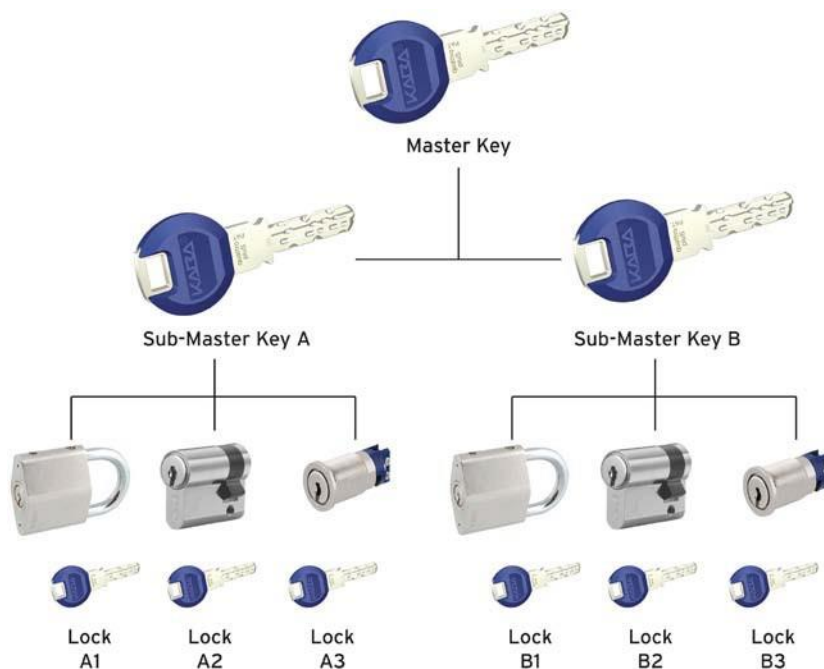


Discover our Safe Showroom

When it comes to protecting your most valuable items, a safe is a safe bet. We offer a wide range of safe options, many of which we have available for you to view in our safe showroom. From small safes suitable for laptops, to large bank-sized safes, there's an option to suit every need. Our expert team would be happy to take you through the options that are best for you. We can also repair or gain access to existing safes.

Access control – as you need it.

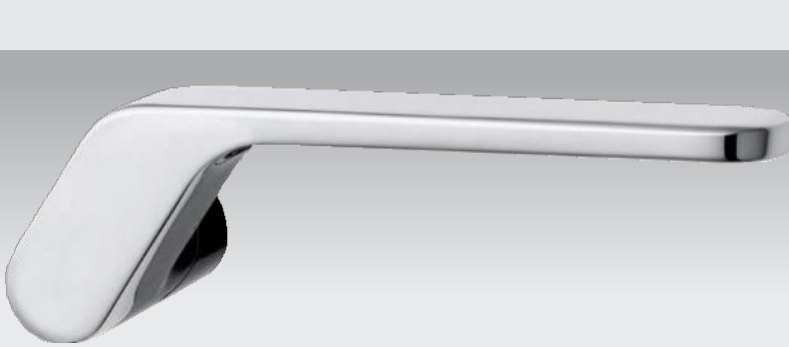
Access control systems are designed to allow authorised people easy movement and access around your premises, while ensuring those who aren't authorised are kept out. Hardware Direct can help to plan and implement access control systems to suit any environment, incorporating alarms and CCTV solutions, along with swipe cards, mag locks, timing systems, smart keys and of course, the computer systems to run it all. Our access systems are trusted by the Auckland War Memorial Museum to keep their priceless collection secure. We can survey your site to determine the most appropriate system for your needs, determining not just your system requirements, but also infrastructure requirements that may arise from the site itself. Whether its systems to manage short-term access or a highly restrictive security system, we can help you determine a solution to suits your needs both now and into the future.



Our locking systems and services are trusted by some of New Zealand's most security conscious organisations, including the Department of Corrections and SkyCity. And, thanks to our 24/7 call out service, you'll always have security support available when you need it.

Hardware for every situation

Over the years, we've built up a reputation as a leading supplier of every type of hardware you could feasibly need. Whether it's hardware for doors, windows or bathrooms. From handles and locks, to grab rails and toilet roll holders; grills and seals, to hand dryers and smoke alarms, there is practically no hardware item we couldn't provide, service or repair. And that depth of product awareness is important.



Making compliance easy

While hardware products often seem like the simplest component of a large commercial build, when not considered up front, seemingly simple hardware decisions can lead to expensive and time-consuming corrections. Take for example, the case of a New Zealand development that specified a certain type of mag-lock on six fire safety doors. Because of the size of the mag-lock in question, the door fell outside of building code compliance by around 20mm, a simple error that cost over \$9,000 to resolve.

Our hardware specialists can work with you to ensure the hardware specified in your project will adhere to building codes, while still meeting your design and functional requirements. We can pinpoint potential issues and provide recommendations on how to cost effectively resolve them.

You'll enjoy smooth management of all hardware elements of your project thanks to our well-resourced estimating team and experienced contract administrators. They'll take care of every detail in planning, supply and installation, truly taking the hard out of hardware.

We specialise in:

- Door hardware.
- Window hardware.
- Bathroom hardware.
- Door accessories.
- General hardware.
- Electronic locking and high security systems.
- Design, Plan, Supply and Install.
- 24/7 service, repair and replacement support.



One of New Zealand's largest ranges of hardware, available in-store and online at:

www.hardwaredirect.co.nz

Talk to us

Auto Doors and Servicing
Locksmiths

Architectural Hardware Auckland

1 Charann Pl

Avondale

09 8371561

sales@hardwaredirect.co.nz

Architectural Hardware Hamilton

21A Kaimiro

Pukete

07 8393025

terapa@hardwaredirect.co.nz



www.hardwaredirect.co.nz